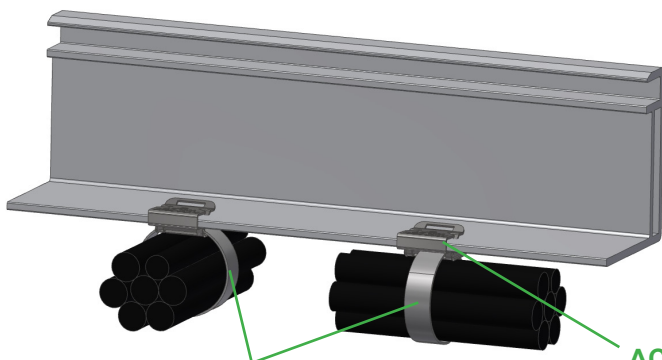


The WILEY module wire management clips are made of corrosion resistant 304 stainless steel, which makes for a durable, long lasting and reliable solution for all environments. The coined edges are designed to help protect cable insulation from damage. The WILEY module wire management clips are easy to install, fits onto a wide range of module frames and rail channels.

| | | |
|----------------------------------|--|--|
| Product Image | | |
| Catalog Number | ACC-FBC | ACC-RBC15 |
| Item Number | 50037643 | 50050035 |
| Material | 304 stainless steel | 304 stainless steel |
| Width | 0.51" | 0.65 |
| Overall Length | 0.81" | 0.90" |
| Number of Wires | Determined by cable tie bundle diameter | Up to 2 Micro Inverter Trunk or AC cables or up to 4 PV cables |
| Wire Diameter | Use with UNIRAP™ cable ties or WBS Max cable tie width: 8mm | 1 Wire - 4.1mm to 14mm 2 wires - 4.1mm to 11mm |
| Module/Rail Compatibility | Module flange thickness range :1.3 to 2.5 mm | Rail channel width: 6.35mm to 13.5mm |



UNIRAP™ cable tie or Wiley Bundle Strap (WBS)

ACC-FBC

- High quality, long-lasting, labor savings, wire management solution
- Superior corrosion resistant 304 stainless steel
- Coined edges to help protect cable insulation from damage
- Accommodates Micro Inverter Trunk cable, AC cable, or PV cable
- Installed onto the module frame flange
- Lasts the lifetime of the PV system
- Recommended for outdoor use
- RoHS Compliant
- Custom designs are available upon request

Customer Service 1-800-346-4175 | International 603-647-5299 | Canada 1-800-387-6487 | www.burndy.com