

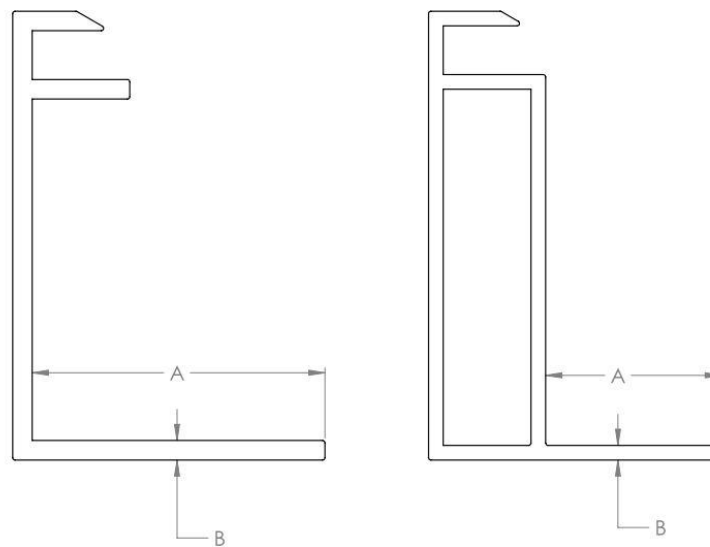
October 25, 2012

To: PV module manufacturers

Re: General WEEB compatibility with bottom mounting PV systems

From: Burndy, LLC.

Burndy LLC confirms that module frames whose cross sectional dimensions fall within the parameters below are compatible with bottom mount application WEEBs. Any module frames whose dimensions fall outside those described require testing in order to determine compatibility. Note: Compliant modules are **NOT** compatible with every WEEB in every application! Be sure to check the specific installation manual to ensure module frame compatibility as some bottom mount applications have WEEB “tooth” location requirements. Other features such as grooves may be located on the bottom of the frame. Groove depth cannot be greater than 0.5mm with a peak to peak distance greater than 1.0mm. If you have any questions, please contact the Wiley Engineering Department.



Dimension	Minimum	Maximum
A	17.5mm	N/A
B	1.5mm	N/A

Sincerely,

Wiley Engineering Team
Burndy LLC
WileyEngineeringDept@burndy.com

BURNDY LLC
47 E. Industrial Park Drive
Manchester, NH 03109
P: 800.346.4175 F: 800.346.9826
International: 603.647.5299 Main: 603.647.5000

www.burndy.com

103-0100-000017-000

1 of 1