

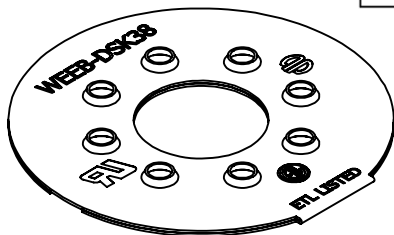


Washer, Electrical Equipment Bond

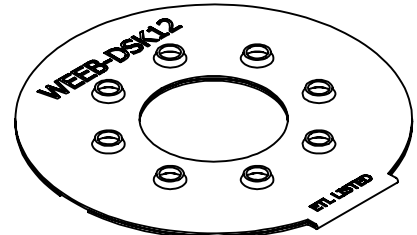
WEEB[®] WASHER

INSTALLATION INSTRUCTIONS For Harsco GrateGaurd[™] Only

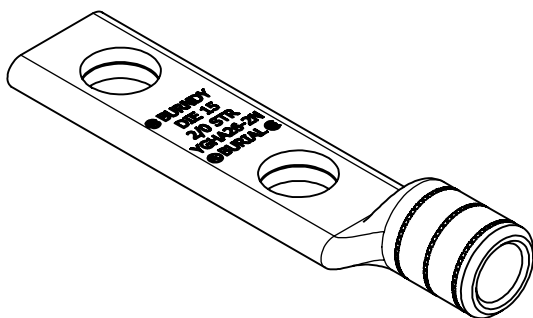
Burndy LLC recommends that the sufficient details of the installation be submitted to the AHJ for approval before any work is started.



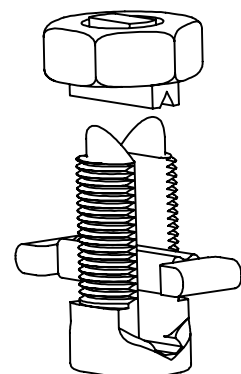
WEEB-DSK38



WEEB-DSK12



YGHA262TN



KSU23



Products are tested to UL 467, CAN/CSA-C22.2 No. 41
US/ Canadian standards for safety grounding and bonding equipment.

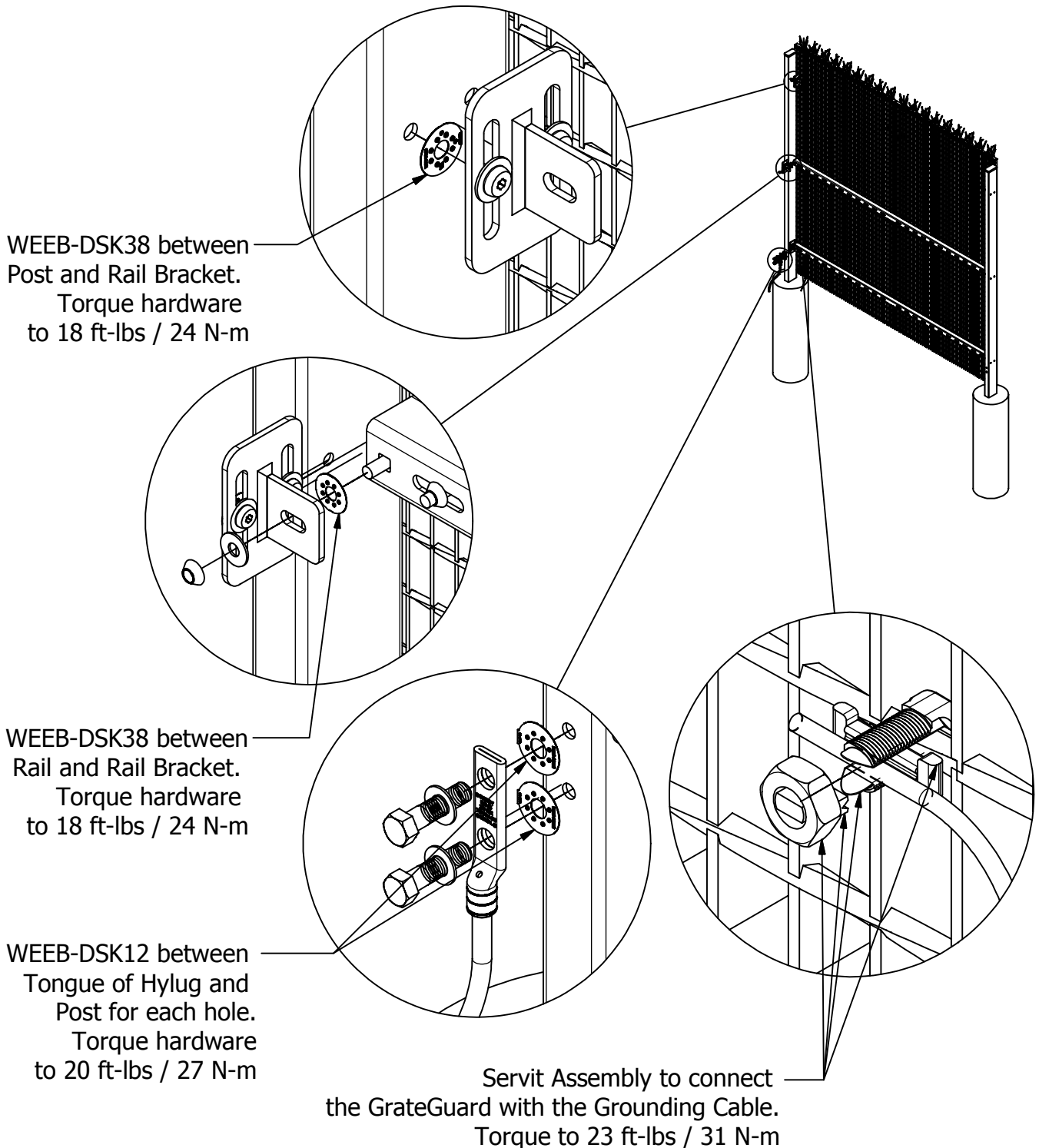


Intertek
4004188



SYSTEM OVERVIEW

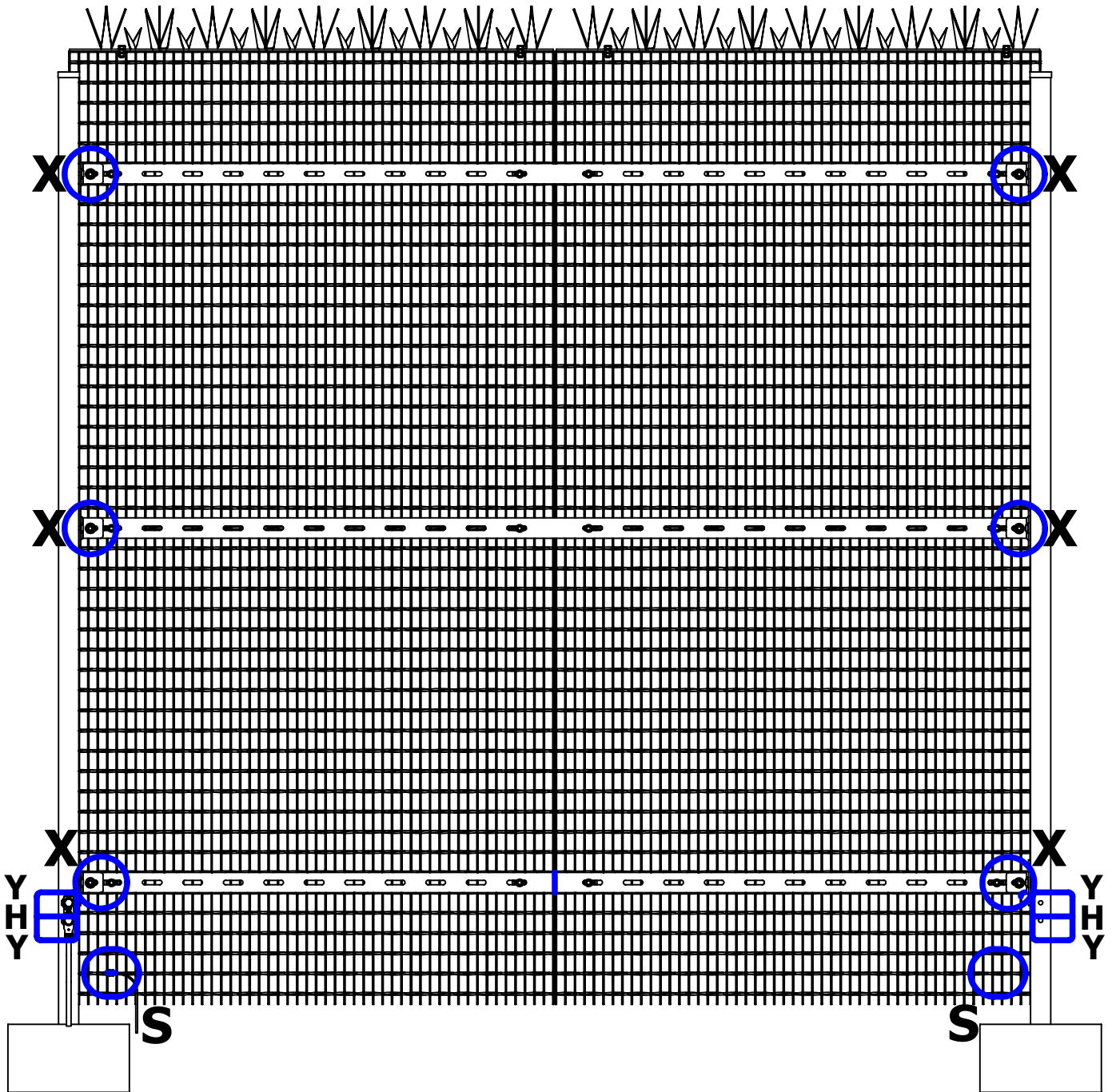
The WEEB® washer family of products can be used to bond anodized aluminum, galvanized steel, steel and other electrically conductive metal structures. All installations shall be in accordance with NEC requirements in the USA and with CSA C22.1 in Canada.



Note:

Inspect the each component which is going to use with a WEEB® device to ensure that the surface contact with the WEEB® device of the component is flat, and that there are no hindrances to embedding WEEB® washer teeth.

WEEB[®] WASHER LAYOUT



X DENOTES PLACES TO INSTALL WEEB-DSK38
Y DENOTES PLACES TO INSTALL WEEB-DSK12
H DENOTES PLACES TO INSTALL HYLUG
S DENOTES PLACES TO INSTALL SERVIT ASSEMBLY

Customer Service Department
7 Aviation Park Drive
Londonderry, NH 03053
1-800-346-4175
1-603-647-5299 (International)

Important note:

1. YGHA HYLUG size is dependant on required grounding conductor.