

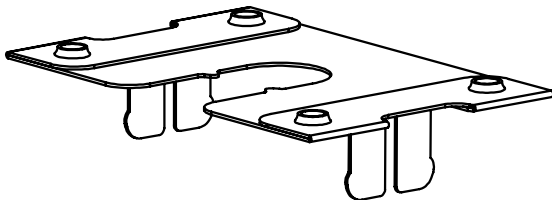


Washer, Electrical Equipment Bond

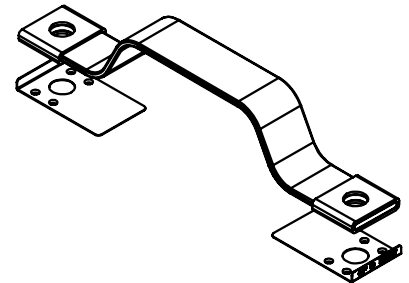
# WEEB<sup>®</sup> WASHER

## INSTALLATION INSTRUCTIONS *For Schletter Solar Mounting systems Only*

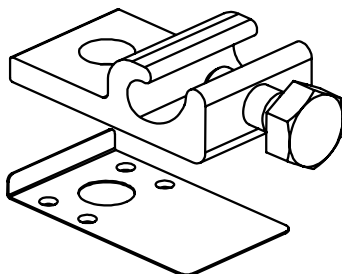
Burndy LLC recommends that the sufficient details of the installation be submitted to the AHJ for approval before any work is started.



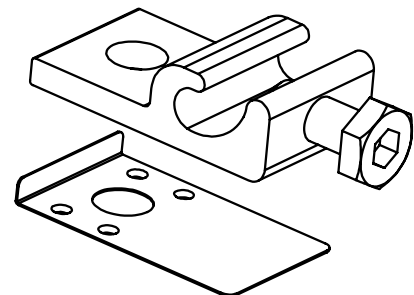
WEEB-SMC-2



WEEB-BNDJMP8.0



WEEB-LUG-8.0



WEEB-LUG-8.0HS



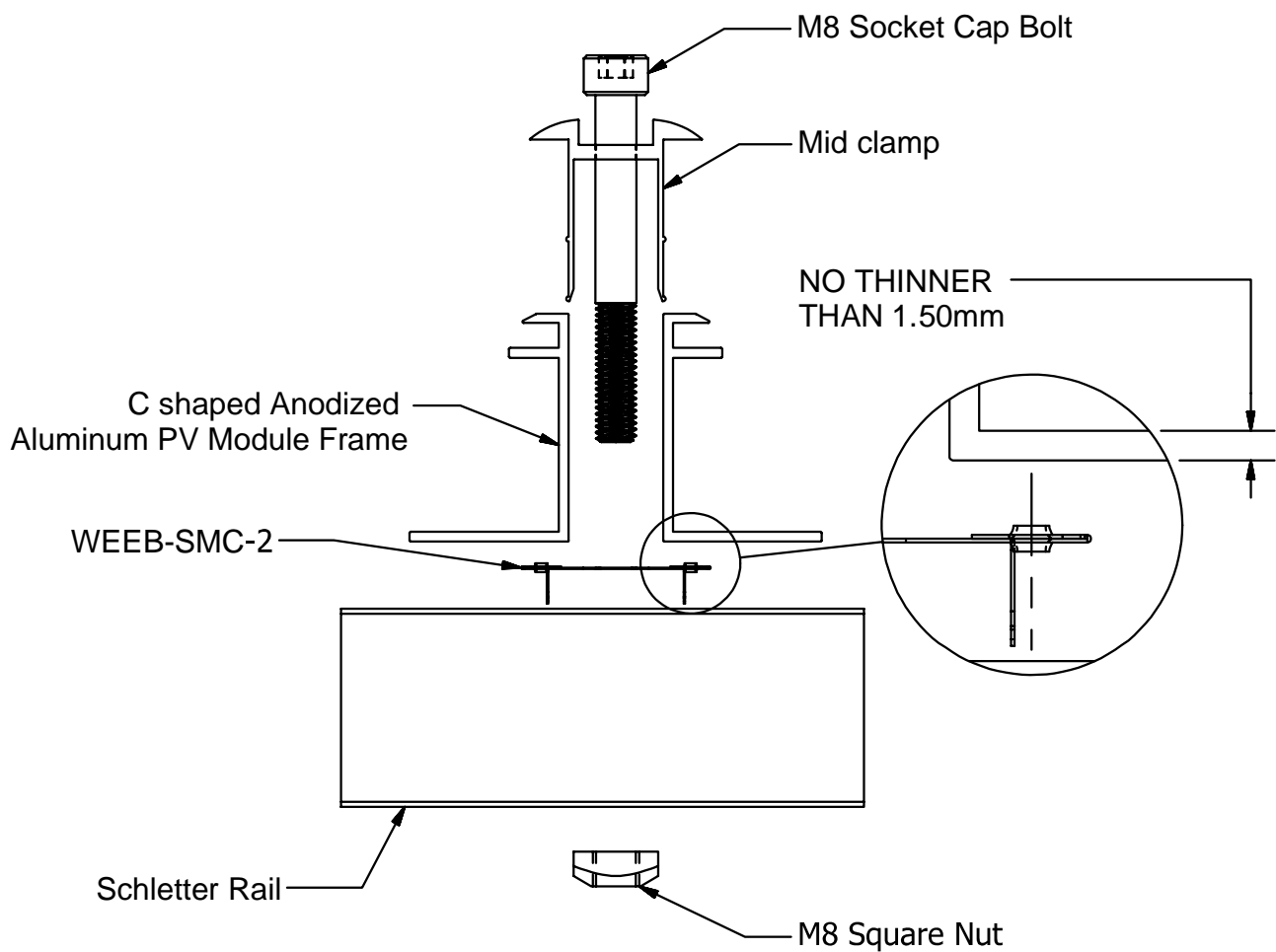
Products are tested to UL 467, CAN/CSA-C22.2 No. 41  
US/ Canadian standards for safety grounding and bonding equipment.



# WEEB-SMC-2 COMPATIBILITY

The WEEB® washer family of products can be used to bond anodized aluminum, galvanized steel, steel and other electrically conductive metal structures. All installations shall be in accordance with NEC requirements in the USA and with CSA C22.1 in Canada. The WEEB® washers are for use with modules that have a maximum fuse rating of less than 25A.

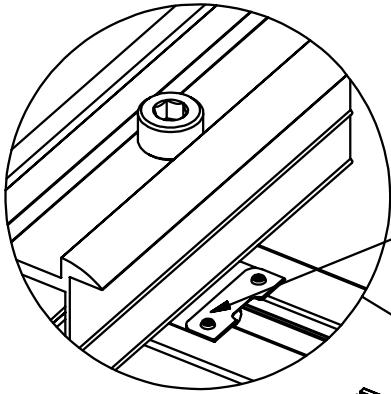
Certain module frames do not have enough structural strength to withstand the force required to embed a WEEB® washer. These frames will deform and therefore not allow sufficient penetration of the WEEB® washer teeth. The general requirements for minimum module frame thickness of "C Shaped" type module frames are illustrated below. For more information regarding module compatibility, please see the technical documents section of our website.



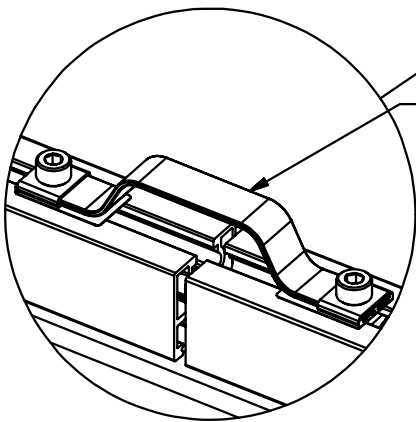
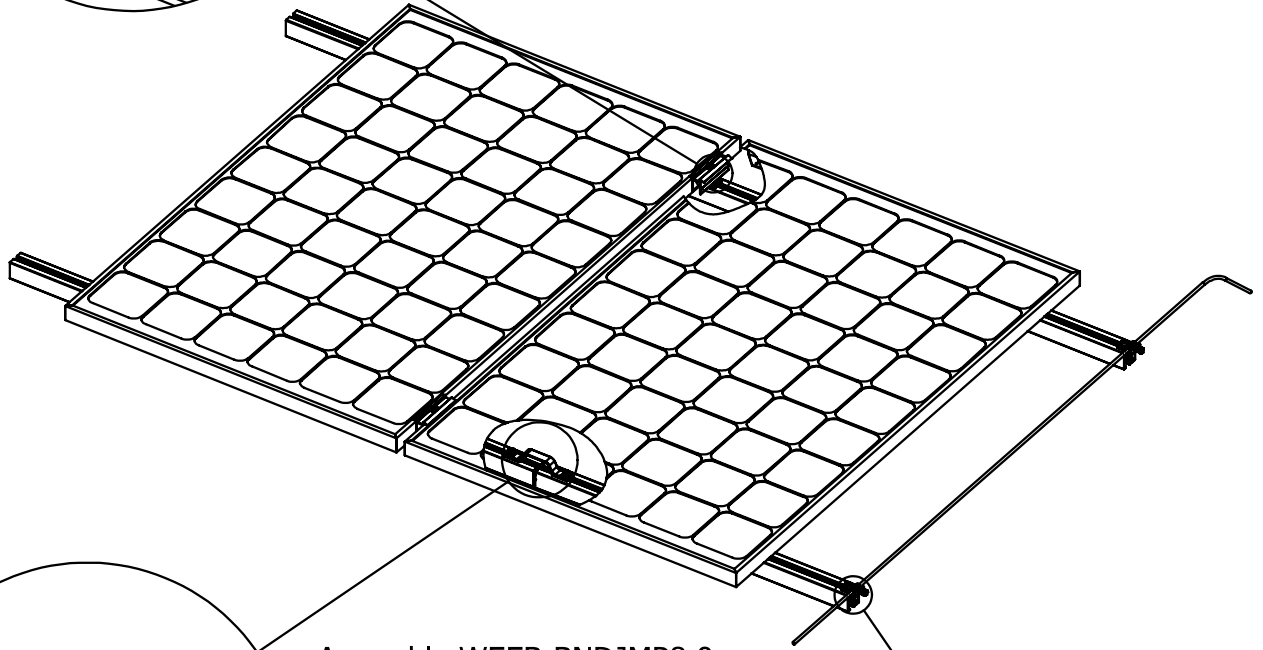
## Note:

1. The WEEB® washer is only compatible with the Standard series of Schletter module clamps. The Rapid Clamp series is not compatible.
2. Inspect each module frame used with a WEEB® device to ensure that the bottom mounting face of the frame is flat, and that there are no hindrances to embedding WEEB® washer teeth. Do not use a module with a frame that prevents the WEEB® washer teeth from embedding fully.

# SYSTEM OVERVIEW

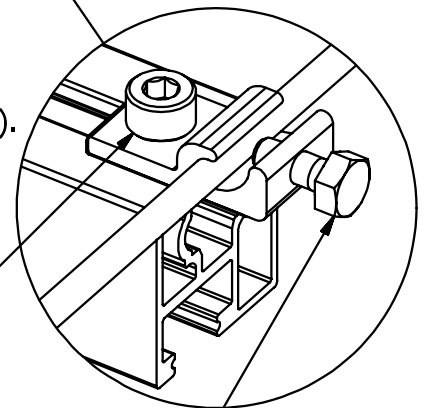


Use WEEB-SMC-2 to bond solar modules to Schletter rail and torque fasteners to 12ft-lb / 16.3N-m. (Hardware with pre-applied anti seize).



Assemble WEEB-BNDJMP8.0 assembly to bond two Schletter rails and torque fasteners to 12ft-lb / 16.3N-m (Hardware with pre-applied anti seize).

Assemble WEEB-LUG assembly and torque fasteners to 12ft-lb / 16.3N-m (Hardware with pre-applied anti seize).



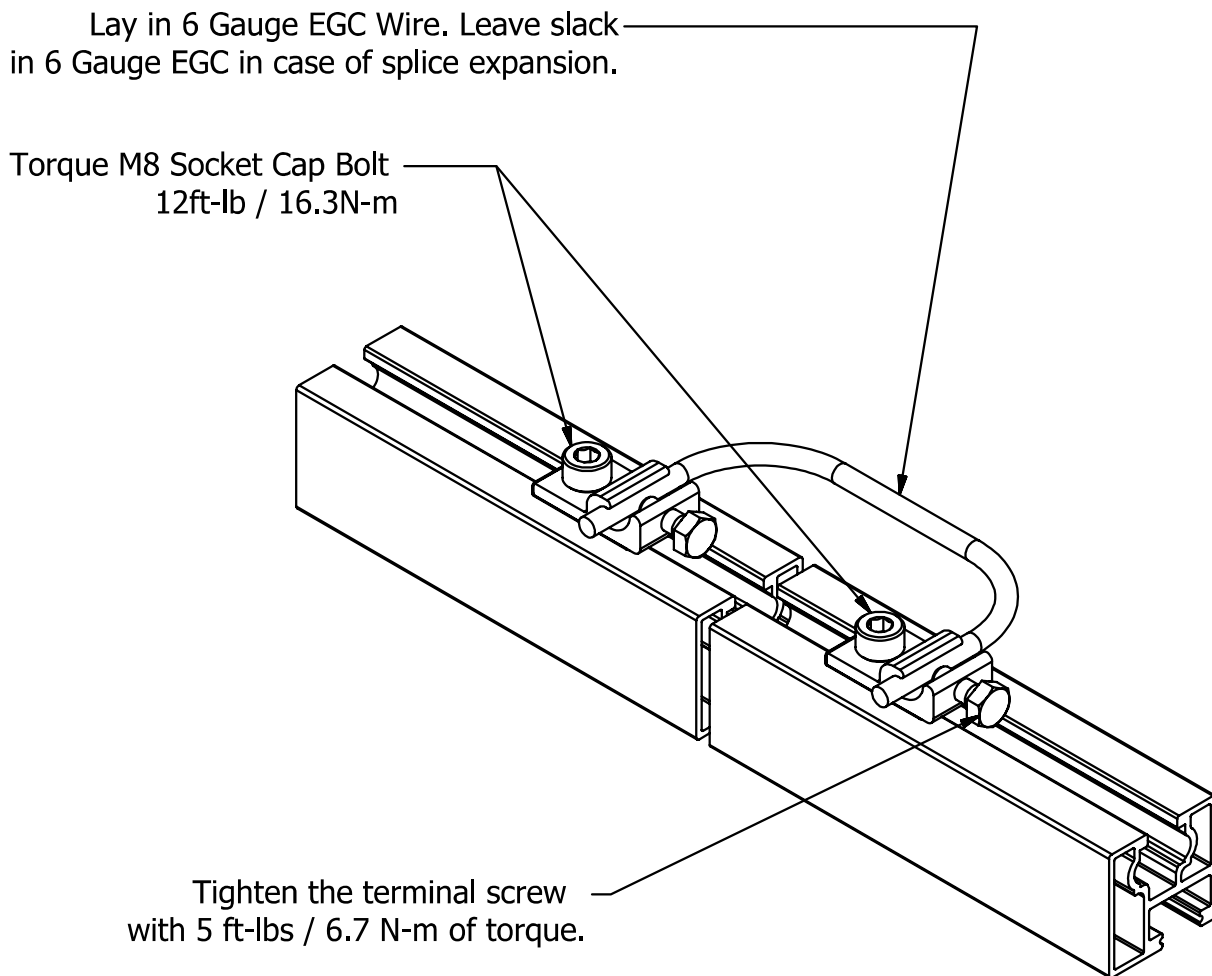
Lay in equipment ground conductor and torque bolt to 5 ft-lbs / 6.7 N-m

## Important notes:

1. Use general purpose anti seize compound (when not already pre-applied) on fastener threads when installing WEEB® washers.
2. The NEC section 690.43 states “Exposed non-current carrying metal parts of module frames, equipment, and conductor enclosures shall be grounded in accordance with 250.134 or 250.136(A) regardless of voltage”.

# SPLICE KIT ASSEMBLY

Use two (2) WEEB-LUG and a short section of 6 AWG copper wire to maintain electrical continuity across a mechanical splice.



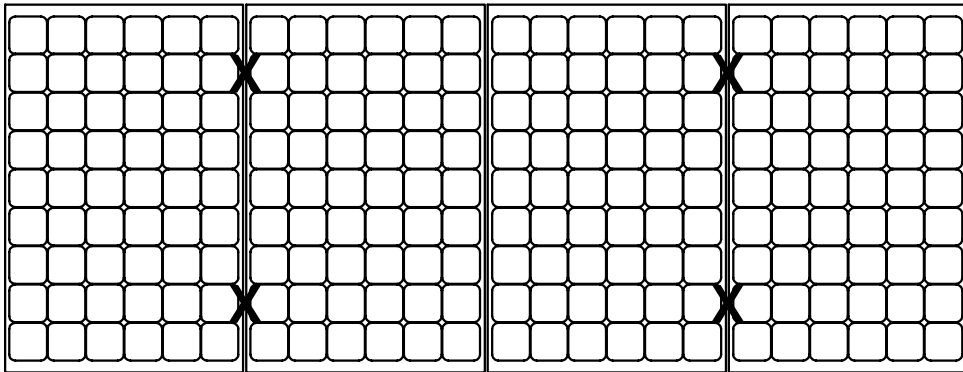
# OTHER COMPATIBLE RAILS OF SCHLETTER FOR WEEB-SMC-2

Below table shows the list of Schletter Rails and their compatible details,

SL. NO.	SCHLETTER RAIL TYPE	COMPATIBLE WEEB	COMPATIBLE WEEB-LUG	COMPATIBLE SPLICE OPTION-1	COMPATIBLE SPLICE OPTION-2
1	05 series rail	WEEB-SMC-2	WEEB-LUG-8.0	WEEB-BNDJMP8.0	(2) WEEB-LUG connected via copper conductor
2	S series rail	WEEB-SMC-2	WEEB-LUG-8.0	WEEB-BNDJMP8.0	(2) WEEB-LUG connected via copper conductor
3	Fix Z series rail	WEEB-SMC-2	WEEB-LUG-8.0	WEEB-BNDJMP8.0	(2) WEEB-LUG connected via copper conductor
4	ProfiPlus XT series rail	WEEB-SMC-2	WEEB-LUG-8.0	WEEB-BNDJMP8.0	(2) WEEB-LUG connected via copper conductor

# WEEB-SMC-2 LAYOUT

## EVEN NUMBER OF MODULES IN ROW

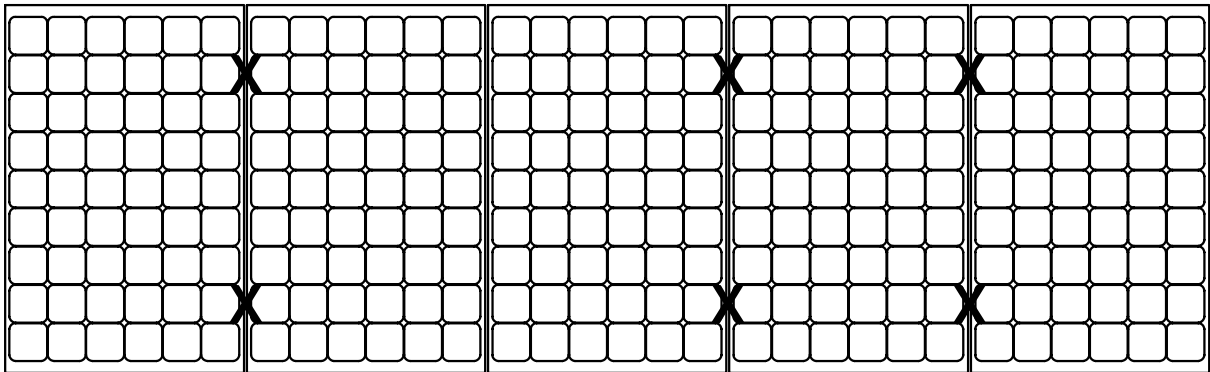


X DENOTES PLACES TO INSTALL WEEB-SMC-2

$$\text{COLUMN X ROW} = C \times R = 4 \times 1 = 4$$

$$\text{WEEB-SMC-2 NEEDED} = 4$$

## ODD NUMBER OF MODULES IN ROW



X DENOTES PLACES TO INSTALL WEEB-SMC-2

$$[\text{COLUMN} + 1] \times \text{ROW} = [C + 1] \times R = [5 + 1] \times 1 = 6$$

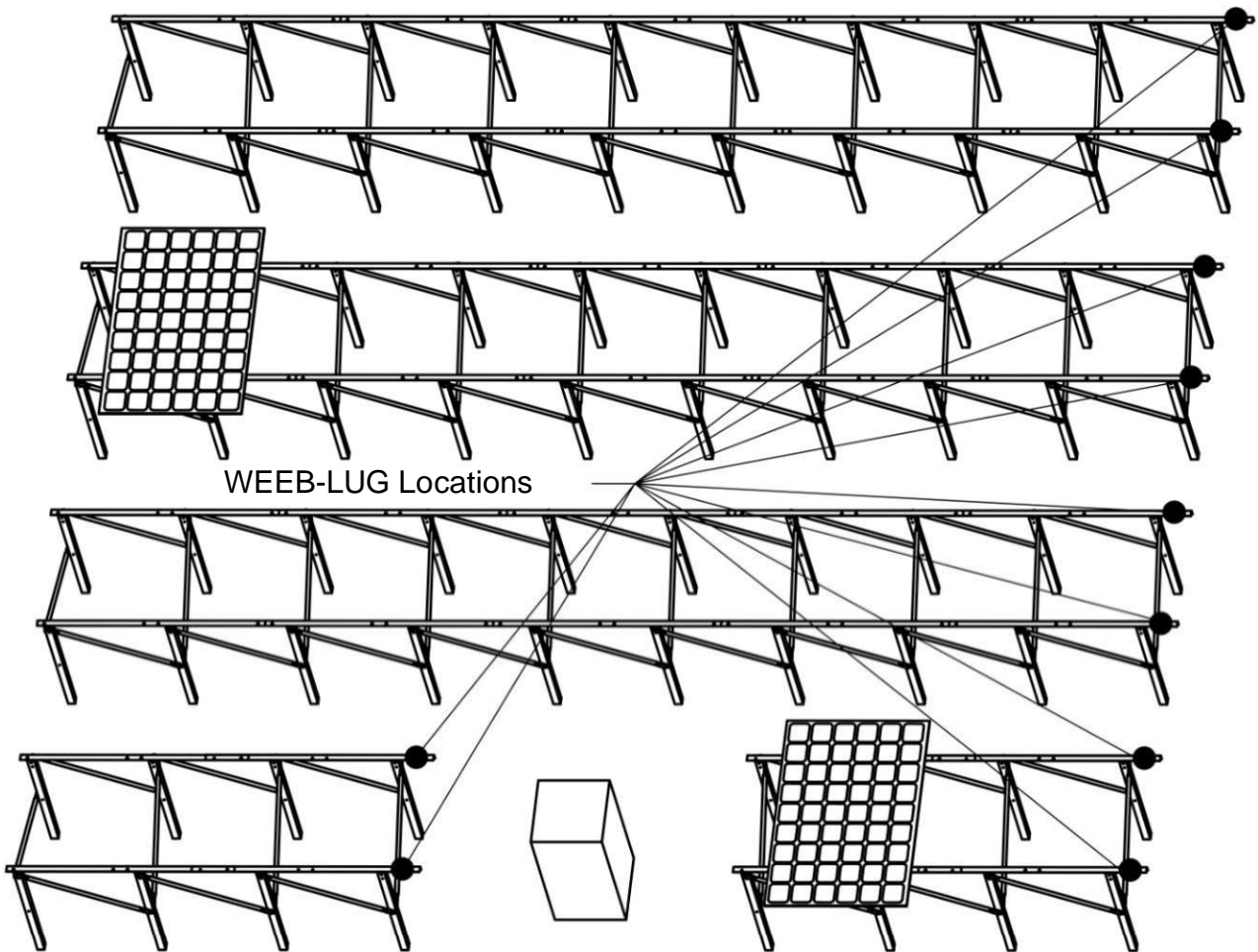
$$\text{WEEB-SMC-2 NEEDED} = 6$$

### Note:

When replacing a single faulty module, also remove the adjacent module which contacts the same WEEB® washers as the faulty module. This will ensure that there are never ungrounded modules in the array.

# WEEB-LUG LOCATIONS

Install WEEB-LUG at the following marked locations.



**Customer Service Department**  
7 Aviation Park Drive  
Londonderry, NH 03053  
1-800-346-4175  
1-603-647-5299 (International)