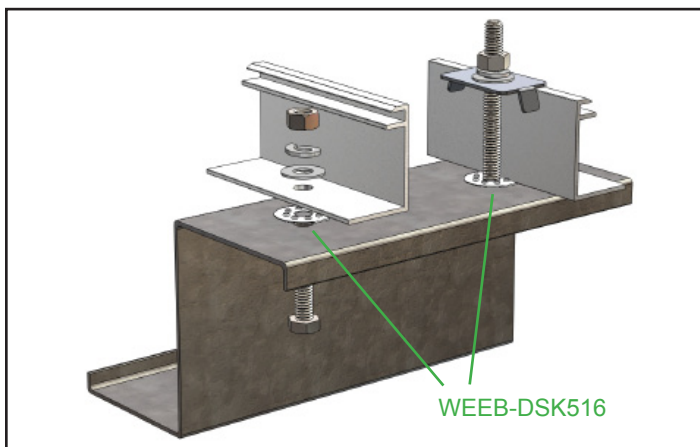


WEEB® Washer Electrical Equipment Bond

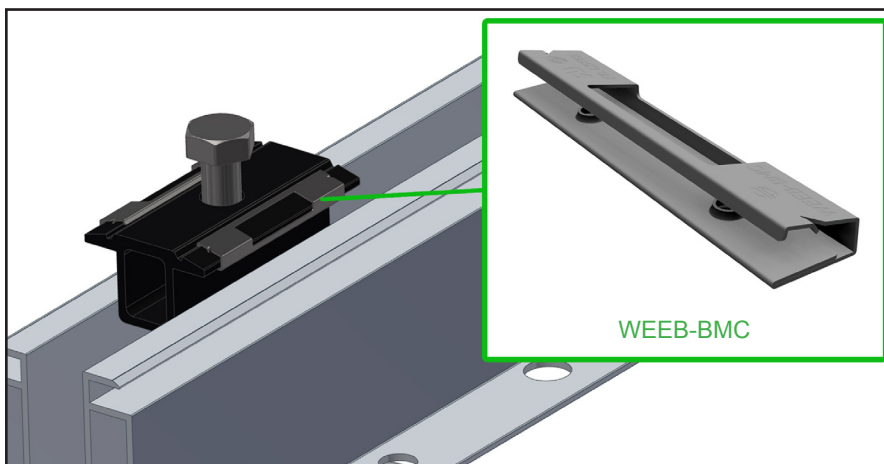


A revolution in the solar industry, WEEB® washers eliminate the need for older, more expensive grounding methods while also significantly reducing the amount of labor and materials used in installations.

Here's how it works: When the WEEB® is inserted between the module frame and mounting rail, the teeth of the WEEB® pierce the anodized coating. The result is excellent conductivity without oxidation—bonding the PV module frame with the metal racking structure. Essentially, the module and rail become one singular piece of metal, creating an electrical path to the ground.



- Many universal solutions for top clamp and bottom mount applications
- Corrosion resistant 304 stainless steel provides outstanding durability and performance
- Provides a bonding feature to the existing mid-clamps
- ETL Listed to UL 467 as Grounding & Bonding Equipment
- UL Recognized to UL 2703
- RoHS Compliant
- Custom sizes and configurations are available upon request
- Detailed instruction manual specifying proper hardware, torque and mounting details
- Lasts for lifetime of the solar system
- Reusable



Intertek
4004188

Customer Service 1-800-346-4175 | International 603-647-5299 | Canada 1-800-387-6487 | www.burndy.com



Connecting Power to Your World®

