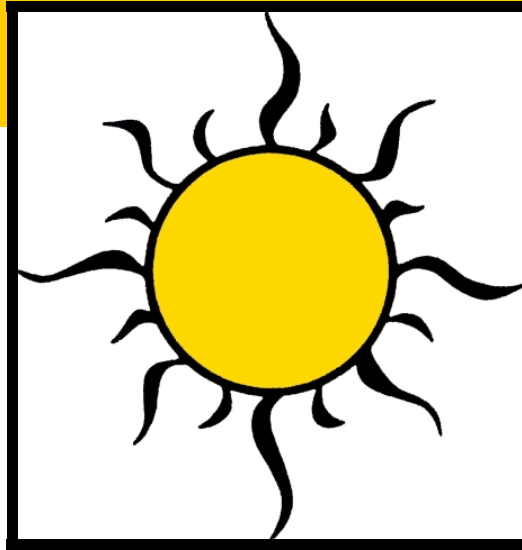


**WILEY ELECTRONICS LLC**

# **Product Pricing List 2009**

## **Acme PV Peripheral Products**



### **Acme Products Include:**

- Acme Cable Clips
- Acme Conduit Entry
- Acme Solar Site Evaluation Tool
- Washer, Electrical Equipment Bond

**Date: 08/01/2009**

# WILEY ELECTRONICS LLC

## Table of Contents

---

Wiley Electronics LLC Business Overview	4
New Product: Acme Conduit Entry Unit	5
Acme Conduit Entry Unit	6
ACE & ASSET	8
ACC & ACC-PV	9
WEEB Lug 6.7, 8.0 & 8.2	10
WEEB Bonding Jumper 6.7 , 8.0 & 8.2	11
WEEB-UMC, PMC & DMC	12
WEEB-WMC, DPF, CSG	13
WEEB-9.5, 9.5NL, 11.5	14
WEEB-SMC, KMC, CMC	15



## **Wiley Electronics LLC**

---

### **Our Mission:**

Wiley Electronics is dedicated to the advancement of clean, renewable sources of energy to meet today's increasing demand.

### **Research and Development:**

Wiley Electronics works with manufacturers and installers to design products that address the evolving needs of the PV industry. These products enable our customers to install PV systems safely, efficiently and cost effectively. Check out our website for more information at [www.we-llc.com](http://www.we-llc.com).

### **Quality:**

We are confident you will find that our products unsurpassed in quality, ingenuity and reliability. We quality check each and every product that is engineered at our facility with great detail.

**Address: PO Box 361  
Saugerties, NY 12477**

<b>Office Phone:</b>	<b>845-247-3852</b>
<b>Sales Phone:</b>	<b>845-633-2065</b>
<b>Fax Number:</b>	<b>845-839-2792</b>
<b>Sales E-Mail:</b>	<b><a href="mailto:heather@we-llc.com">heather@we-llc.com</a></b>

# WILEY ELECTRONICS LLC

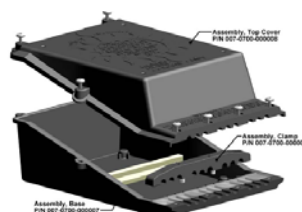
New Product

## ACE Acme Conduit Entry



Pass Through List Price: \$89.00

Part #: ACE-PT

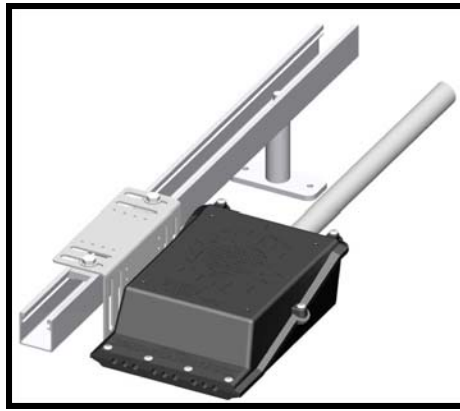


### Acme Conduit Entry Unit

The ACE makes quick and simple transitions from PV array wire to conduit protected building wire. The conduit entry features a compact two-piece UV resistant enclosure that allows ample wiring space and is compatible with any conduit type. The unique wire entry seals the enclosure even if entry slots are unused. Convenient side and bottom conduit drillouts allow for easy conduit routing. The cover comes with captive screws for hassle-free assembly. The ACE can also function as a string combiner.

**Acme Conduit Entry**

- The ACE can be used as either a pass-through or a string combiner.
- Parts include: Mounting Bracket, 2 WEEB 9.5NL's and 4 Ace Mounting Screws.



**Typical Roof Mount Install**



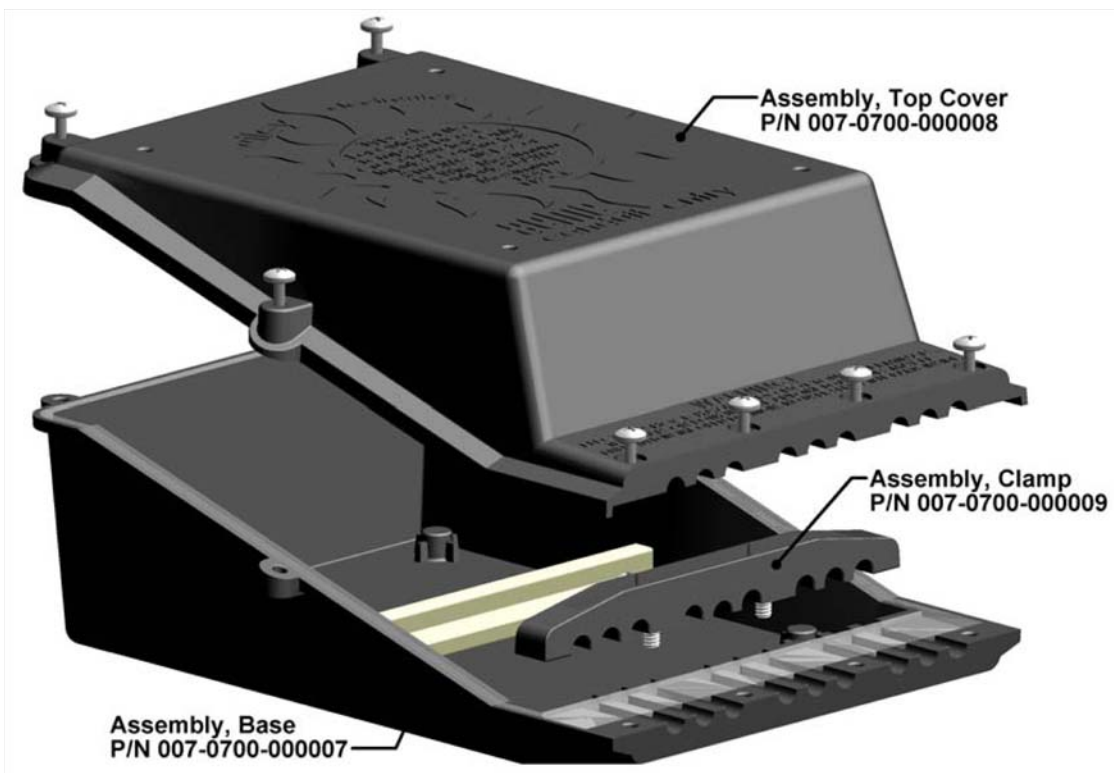
**Typical Top of Pole Install**

The table below shows the devices required for the different desired configurations.

	ACE-PT	ACE-1P	ACE-2P	ACE-3P	ACE-4P	ACE-2C	ACE-3C	ACE-4C
<b>Terminal Block</b>	N/A	2	4	6	8	2	2	2
<b>Terminal Block Internal Bus</b>	N/A	N/A	N/A	N/A	N/A	N/A	1 X 2-Pole	1 X 2-Pole
<b>Fuse Holder</b>	N/A	N/A	N/A	N/A	N/A	Not required for 2-string combiner	3	4
<b>Fuse Combiner Bus</b>	N/A	N/A	N/A	N/A	N/A	N/A	1 x 3-Pole	1 x 4-Pole
<b>Grounding Terminal</b>	Not required when DIN rail is removed	1	1	2	2	1	2	2

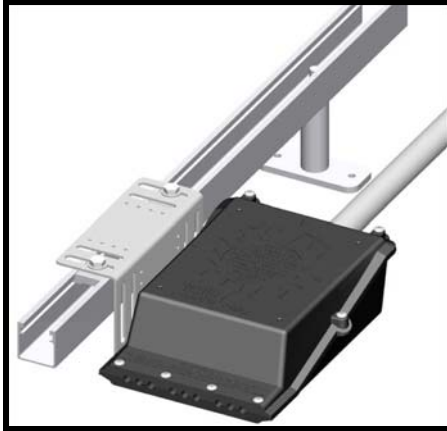
## **Acme Conduit Entry Model Pricing**

<b>Product Model: ACE-PT</b>	<b>List Price: \$ 89.00</b>
<b>Product Model: ACE-1P</b>	<b>List Price: \$110.00</b>
<b>Product Model: ACE-2P</b>	<b>List Price: \$115.00</b>
<b>Product Model: ACE-3P</b>	<b>List Price: \$126.00</b>
<b>Product Model: ACE-4P</b>	<b>List Price: \$132.00</b>
<b>Product Model: ACE-2C</b>	<b>List Price: \$110.00</b>
<b>Product Model: ACE-3C</b>	<b>List Price: \$200.00</b>
<b>Product Model: ACE-4C</b>	<b>List Price: \$225.00</b>



**To Order Call: 845-633-2065**

## **Combiner Boxes**



List Price: \$ 89.00

Product #: ACE-PT

### **Acme Conduit Entry (ACE)**

The ACE can be used as either a pass-through or a string combiner. Parts include: Mounting Bracket, 2 WEEB 9.5NL's and 4 Ace Mounting Screws. Configurations: ACE-PT, ACE-1P, ACE-2P, ACE-3P, ACE-4P, ACE-2C, ACE-3C, ACE-4C

Included in the Pass Through Assembly:

- 1 Mounting Bracket
- 2 WEEB 9.5NL
- 4 ACE Mounting Screws

## **Site Evaluation Tool**



List Price: \$599.00

Product #: ASSET

### **Acme Solar Site Evaluation Tool (ASSET)**

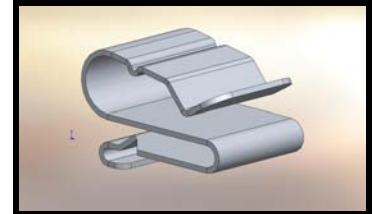
The ASSET is a system for quantifying shading at a site. It consists of a precise positioning system, a digital camera, and software for PC's.

- Low cost digital camera to capture skyline
- Positioning system to rotate camera about focal point
- Custom software
  - versions for PC
  - assembles panorama
  - overlays sun path
  - average position for each month
  - hour lines are solar time (no daylight savings)
  - analyzes for shading
  - energy capture using PVWatts software
  - database of historical data for 239 cities across the United States
  - derating factors for system inefficiencies for fixed, 1 or 2 axis tracking installations

## **Wire Management Clips**

### **Acme Cable Clip (ACC)**

Stainless steel cable clip for wire management.



- 1 or 2 USE-2 wire & 1 PV wire (5.0 to 5.4mm)
- Made with corrosion resistant 300 series stainless steel
- Dual wire compartments
- Special tab for easy installation and removal with flat-head screwdriver
- Designed to prevent damage to cable insulation

---

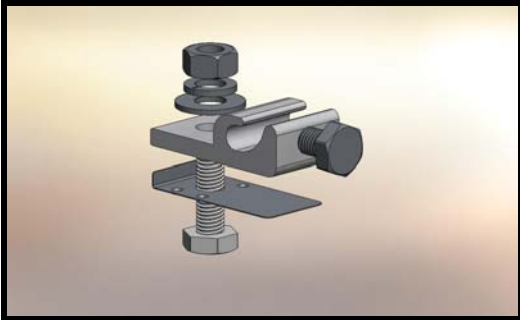
### **Acme Cable Clip—PV (ACC-PV)**

Stainless steel cable clip for wire management.



- Holds 1 or 2 PV wires (6.8 to 7.2mm)
- Prevents damage to insulation
- Dual wire compartments
- Made with corrosion resistant 300 series stainless steel
- Special tab for easy installation and removal with flat-head screwdriver
- Designed to prevent damage to cable insulation

## **Lugs**

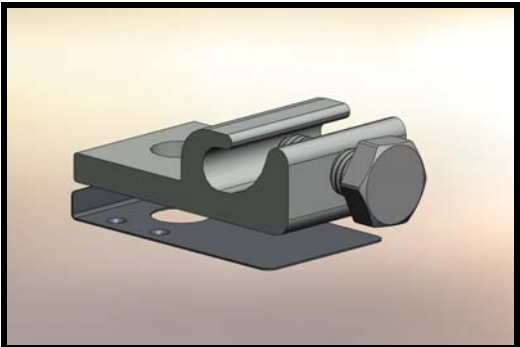


### **Lay In Lug With 1/4 Inch Mounting Hole**

WEEB Lug-6.7 ensures reliable connection to any metal rail. Lug comes complete with 1/4" hardware and WEEB 6.7.

List Price: \$5.25

Product #: WEEBL 6.7

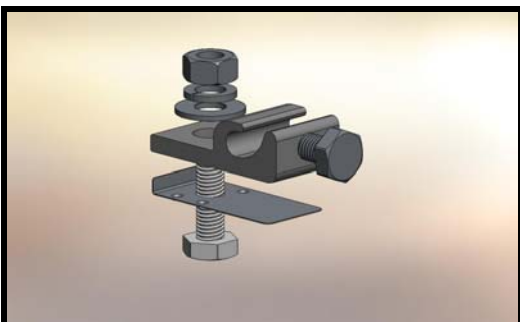


### **Lay in Lug with 8.0mm Mounting Hole**

WEEB Lug-8.0 ensures reliable connection to any metal rail. For use with Schuco rails.

List Price: Please Contact Schuco

Product #: WEEBL 8.0



### **Lay In Lug With 8.2mm Mounting Hole**

WEEB Lug 8.2 ensures a reliable connection to any metal rail. Lug comes with Quickstone Hardware. The hole allows for 8.2mm hardware.

List Price: Please contact Conergy

Product #: WEEBL 8.2

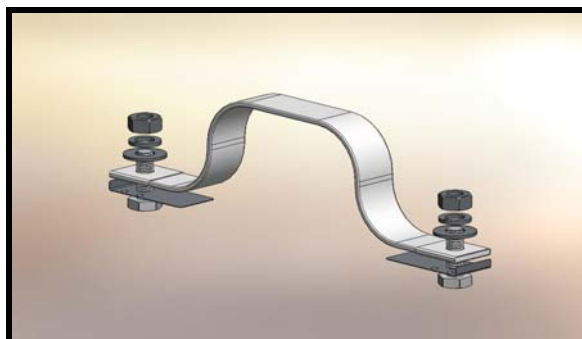
## Bonding Jumpers

### WEEB-Bonding Jumper 6.7

Flexible electrical connection between mechanically spliced rails. Jumper comes complete with 1/4" hardware and WEEB 6.7.

List Price: \$7.75

Product #: WEEB BJ 6.7

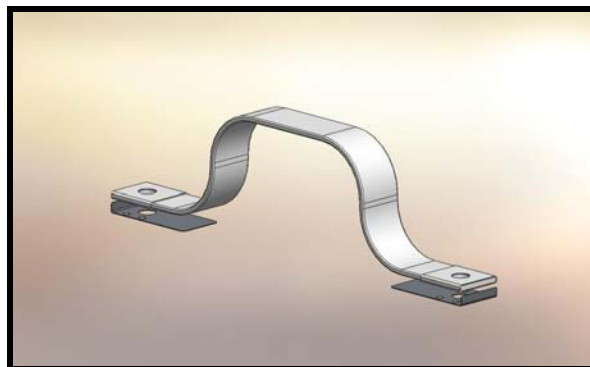


### WEEB Bonding Jumper 8.0

Flexible electrical connection between mechanically spliced rails. Specific to Schuco rails. WEEB 8.0 is included. No other hardware is supplied. 8.0mm hardware is allowed.

List Price: Please contact Schuco

Product #: WEEB BJ 8.0

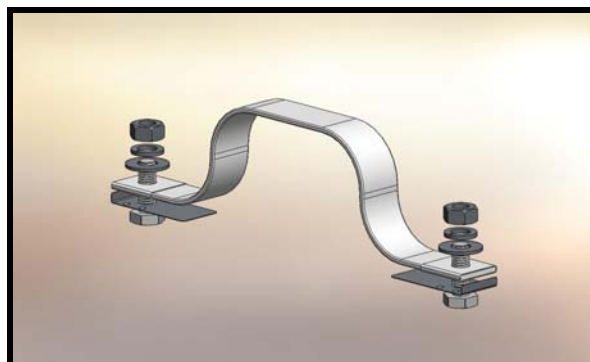


### WEEB Bonding Jumper 8.2

Flexible electrical connection between mechanically spliced rails. Specific to Conergy Rails. Quickmount hardware is included. 8.2mm hardware allowed.

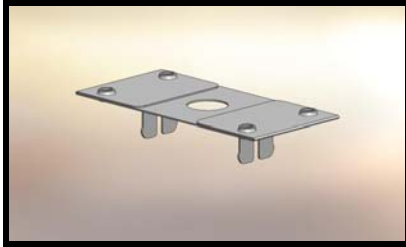
List Price: Please contact Conergy

Product #: WEEB BJ 8.2



## Top Mounting WEEBs

### Module-to-Rail Grounding for UniRac Solar Mount



#### **WEEB UMC**

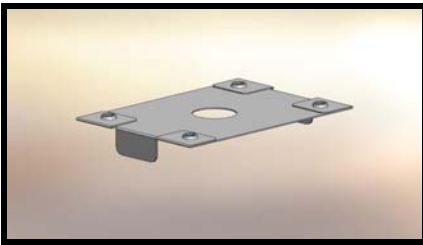
Electrical Equipment Bonding Washer for placement between the module and the rail at mid-clamps of UniRac SolarMount.

List Price: \$2.00

Product #: WEEB UMC

---

### Module-to-Rail Grounding for Pro Solar Mount



#### **WEEB PMC**

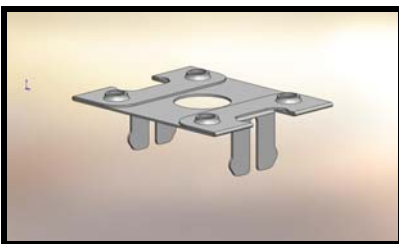
Electrical Equipment Bonding Washer for placement between the module and the rail at mid-clamps of Pro Solar rails.

List Price: \$2.00

Product #: WEEB PMC

---

### Module-to-Rail Grounding for Direct Power & Water Mount



#### **WEEB DMC**

Electrical Equipment Bonding Washer for placement between the module and the rail at mid-clamps of Direct Power & Water rails. Also for Ironridge rails and low lipped modules on the UniRac SolarMount rail.

List Price: \$2.00

Product #: WEEB DMC

# WILEY ELECTRONICS LLC

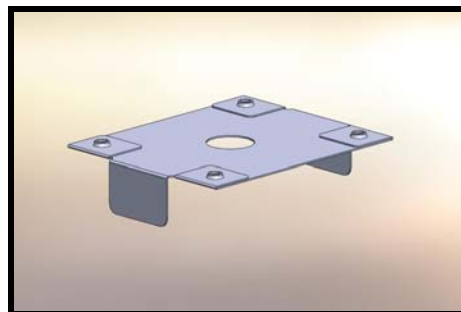
## Module-to-Rail Grounding

### WEEB WMC

Electrical Equipment Bonding Washer for placement between the module and the rail at mid-clamps of Thompson Technology and Unistrut rails.

List Price: \$2.00

Product #: WEEB WMC



## Flexible WEEB

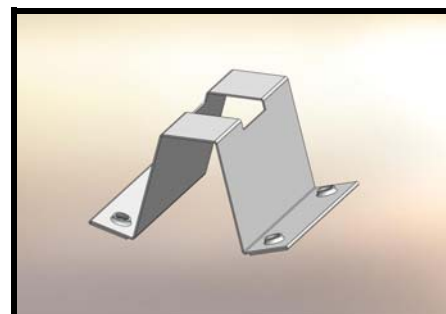
## Module-to-Rail Grounding

### WEEB DPF

Electrical Equipment Bonding Flexible Washer for placement between the module and the rail at the mid-clamps on a DP&W Power Grid CRS rail and GE rail.

List Price \$2.00

Product #: WEEB DPF



## WEEB and Wedge Solution

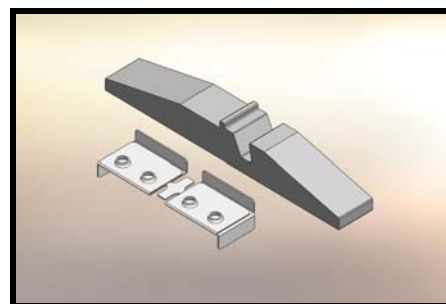
## Module-to-Rail Grounding

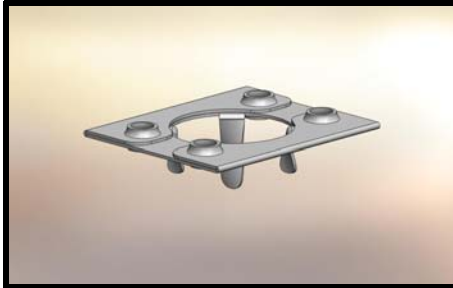
### WEEB CSG & Wedge

Electrical Equipment Bond Washer and Wedge for Conergy SolarGiant

List Price: Please contact Conergy

Product # WEEB CSG

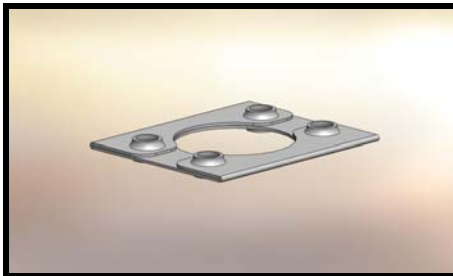


**Bottom Mounting WEEBs****Module-to-Rail Grounding for Pole and Ground Mounts****WEEB 9.5**

Electrical Equipment Bonding Washer for placement between the module and the rail at the attachment points of Pole and Ground mounts. Allows for 1/4" to 5/16" hardware.

List Price: \$1.50

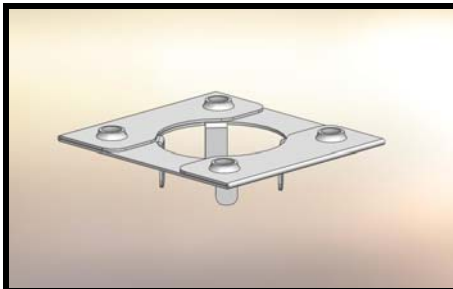
Product #: WEEB-9.5

**Module-to-Rail or Rail to Rail Grounding****WEEB 9.5NL**

Electrical Equipment Bonding Washer, with no retention features, for placement between the module and the rail at the attachment points of Pole and Ground mounts and bolted connections. Allows for 3/8" hardware.

List Price: \$1.50

Product #: WEEB-9.5NL

**Module-to-Rail or Rail to Rail Grounding****WEEB 11.5**

Electrical Equipment Bonding Washer for placement between the mounting rail and attachment points of Pole, Ballasted Tray and Ground mounts. Allows for 3/8" hardware.

List Price: \$2.00

Product #: WEEB-11.5

# WILEY ELECTRONICS LLC

## **Custom WEEBs (please contact distributors)**

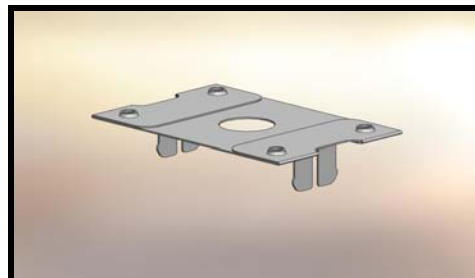
### **Module-to-Rail Grounding for Schuco Mount**

#### **WEEB SMC**

For use with Schuco rails  
Part #: WEEB-SMC

Contact Schuco directly for information:  
860-616-0179

---



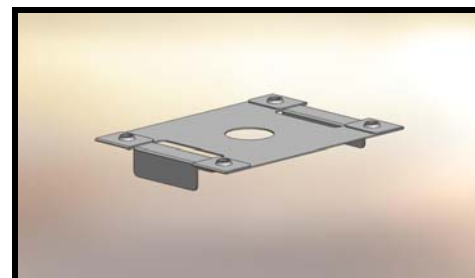
### **Module-to-Rail Grounding for K2 Mount**

#### **WEEB KMC**

For use with Krannich K2 system.  
Part #: WEEB-KMC

Contact Krannich directly for Information:  
856-802-0991

---

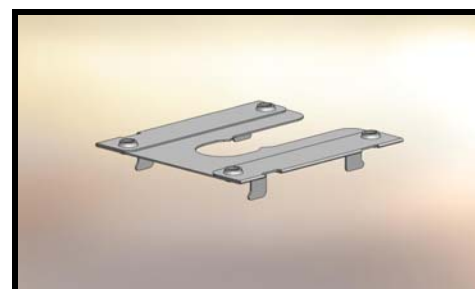


### **Module-to-Rail Grounding for Conergy Mount**

#### **WEEB CMC**

For use with Conergy Sun Top.  
Part #: WEEB-CMC

Contact Conergy directly for Information:  
505-473-3800





## **WILEY ELECTRONICS LLC**

**Address: PO Box 361  
Saugerties, NY 12477**

**Office: 845-247-3852**

**Sales: 845-633-2065**

**Fax: 845-839-2792**

**Email: [heather@we-llc.com](mailto:heather@we-llc.com)**

